

# Wall Cabinets

## DESCRIPTION

This Sframe™ Wall Cabinet line is flat pack designed to save shipping and storage cost. High quality and low cost, quick assembly make this ideal choice to store away any communication devices and office equipment.

## FEATURES



removable side panels

rack sizes from 6U up to 27U



rugged frame to support heavy loads



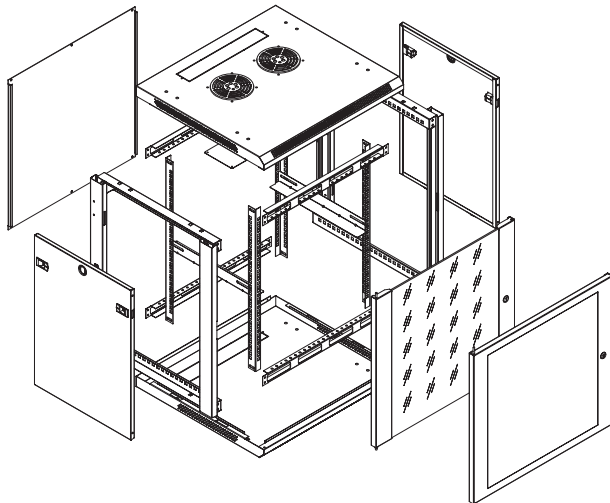
## SPECIFICATIONS

- 19-inch mounting width suitable for most networking equipment
- Conforms to industry standard ANSI/EIA-310-D mounting configuration
- Up to 61kg (135lbs) static load capacity
- Body and frame fabricated from cold rolled steel
- Matte black powder-coated finish (also available in white)

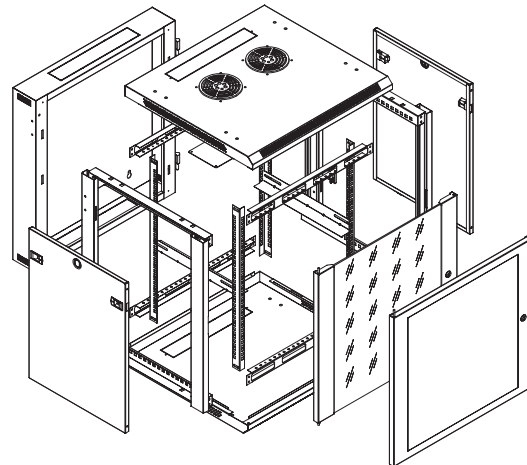
## OPTIONS

Sframe™ Wall Cabinets are offered with either single section or double section design depending on use case

Option: Single Section



Option: Double Section



## ORDER INFORMATION

Sframe™ Wall Cabinets are offered in the following standard configurations

RACK UNITS	SECTIONS	DEPTH	PART NUMBER	DOOR	COLOR
6U	Single	450mm (17.72 inches)	SWC-PKST-01-6U645	D(Perforated steel) A(Steel casement) B1(Smokey-gray glass) B2(Smokey-gray perspex)	BK (Black) WH (White)
	Double	550mm (21.65 inches)	SWC-PKST-02-6U655		
9U (By Order)	Single	450mm (17.72 inches)	SWC-PKST-01-9U645		
	Double	550mm (21.65 inches)	SWC-PKST-02-9U655		
12U	Single	450mm (17.72 inches)	SWC-PKST-01-12U645		
	Double	550mm (21.65 inches)	SWC-PKST-02-12U655		
	Single	600mm (23.62 inches)	SWC-PKST-01-12U660		
	Double	700mm (27.56 inches)	SWC-PKST-02-12U670		
15U (By Order)	Single	450mm (17.72 inches)	SWC-PKST-01-15U645		
	Double	550mm (21.65 inches)	SWC-PKST-02-15U655		
18U	Single	450mm (17.72 inches)	SWC-PKST-01-18U645		
	Double	550mm (21.65 inches)	SWC-PKST-02-18U655		
	Single	600mm (23.62 inches)	SWC-PKST-01-18U660		
	Double	700mm (27.56 inches)	SWC-PKST-02-18U670		
27U (By Order)	Single	450mm (17.72 inches)	SWC-PKST-01-27U645		
	Double	550mm (21.65 inches)	SWC-PKST-02-27U655		

- Standard configurations can be ordered as <PART NUMBER>-<DOOR>-C<COLOR> (eg. SWC-PKST-01-27U645-B1-CBK).
- Flat packs are also available with "-C" after the product code. (eg. SWC-PKST-01-27U645-B1-CBK-C).
- Custom configurations also available upon request, please contact our Sales team for more information.

## Optional Accessories



2-Way Roof Mount Fan Kit  
SCA-UCST-03-CBK



275mm Deep Fixed Shelf  
SUA-FSST-01-45-CBK



1U Brush Cable Entry  
SRA-CMST-01-CBK



6-Way Horizontal Power Rail  
DPU-UHB-1.5U-060215-CSI



Side Panel Lock with Master Key  
SUA-SDPS-02-CBK

